



LÂZZÛR

LIGHTING COMPANY

INSTALLATION INSTRUCTIONS FOR L-P7863-B8-16RB

Please read this installation manual in its entirety prior to beginning assembly and installation of the product.

If you have questions, problems, or missing parts, please call customer service at (786) 681-1919 between the hours of 9 a.m. – 5:00 p.m., PST, Monday-Friday or email us at support@lazzur.com



DO NOT RETURN TO STORE!
CALL (786) 681-1919
If you have installation or product questions.



SAFETY INFORMATION

Upon arrival of the product, inspect the wires for any cuts or abrasions that could have occurred while in transit.

IF A DEFECT IN THE WIRE IS FOUND, DO NOT ATTEMPT INSTALLATION.

Please call our customer service team at (786) 681-1919 or email us at support@lazzur.com

Proper wiring is essential for safe operation of this fixture. Make sure to not damage the electric wiring of the fixture or any other wiring/lines when drilling.

Check to make sure that no parts are missing prior to beginning installation of the fixture.

Use CSA/UL/ETL listed wire connectors suitable for the gauge, type, and number of conductors.

We recommend installation of this lighting fixture be done by a licensed electrician.

If in doubt about electrical installation, consult a licensed electrician.

All electrical connections must be made in accordance with local and National Electrical Code Standards (NEC) or Canadian Electrical Code Standards (CEC).

Contact your local municipal authority for more information regarding code, inspections, and permits.

LÄZZÜR lighting fixtures are intended to be installed utilizing compliant NEC/CEC junction boxes.

Before touching any wire, use a voltage tester to make sure it's not live.

Use non-conductive tools when installing the fixture, such as insulated handles and ladders made of wood or fiberglass.

Turn off power source to the lighting fixture prior to replacing bulbs. Give the bulbs adequate time to cool prior to removing them.

TOOLS REQUIRED (NOT INCLUDED)



Wire Stripper



Plier



Electrical Tape



Safety Goggles



Ladder



Philips
Screwdriver



Flat Blade
Screwdriver

PRIOR TO BEGINNING INSTALLATION

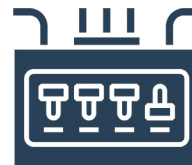
Ensure that all power supply has been disconnected, including turning off electricity at the circuit breaker, wall switch, or fuse box.



CIRCUIT BREAKER



WALL SWITCH



FUSE BOX

WARNING

Improper installation may cause electrical shock, fire, or equipment damage. The installer must be familiar with the construction and operation of the product as well as its associated hazards.

ELECTRICAL SHOCK CAN RESULT IN SERIOUS INJURY

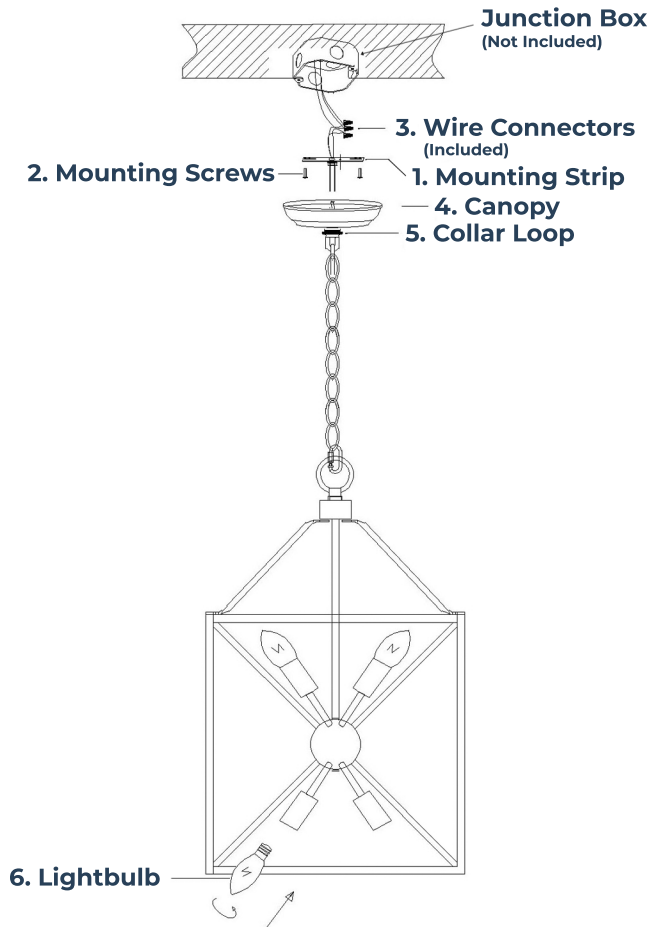
90°C supply conductors minimum. Most houses built before 1985 have supply wires rated 60°C. Consult a qualified electrician prior to installation.

Bulbs are **NOT** included with the lighting fixture. Only use bulbs recommended for your fixture. **DO NOT EXCEED THE MAXIMUM WATTAGE.**

ASSEMBLY INSTRUCTIONS

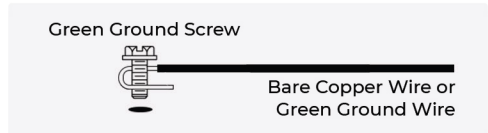
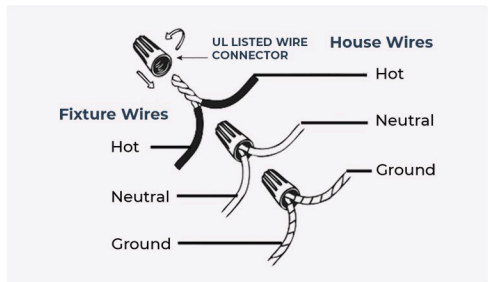
1. Attach the mounting strip (Part #1) to the junction box (**NOT INCLUDED**) in the ceiling by using the provided mounting screws (Part #2). Screw the threaded nipple through the middle of the mounting strip (Part #1), using a hex nut to secure it.
2. Adjust the chain length to the desired height. The height of the chain can be adjusted by opening the chain link with pliers and removing the excess amount of links. Please refer to the specification sheet for measurements. Cut any excess electrical wire, but be sure to leave at least 6"-12" minimum of electrical wire beyond the required length.
3. Attach the bottom carabiner to the lamp body.
4. Weave the electrical wiring from the base of the lighting fixture through the chain and chain loop.
5. Attach the collar loop (Part #5) to the canopy (Part #4) and screw the collar loop into the threaded nipple.
6. Continue threading the electrical wiring through the threaded nipple.
 - Connect the black wire from the fixture to the black (HOT) wire from the junction box.
 - Connect the white wire from the fixture to the white (NEUTRAL) wire from the junction box.
 - To connect the grounding wire, there are two options. Each option depends on the electrical wiring in the home and the type of junction box being used. You can either:
 1. Partially thread the green grounding screw onto the mounting bar, and then proceed to wrap the grounding wire from the fixture around the grounding screw. Tighten the green grounding screw. **DO NOT OVERTIGHTEN**. If necessary, wrap the remaining ground wire from the fixture with the grounding wire from the supply with a wire connector.
 2. Connect the grounding wire from the supply to the fixture ground using a wire connector.
 - Make sure to wrap each connection with electrical tape for a more secure connection.
 - Please avoid having electrical wire exposed when wiring connections.

8. Insert the lightbulbs (Part #6; **NOT INCLUDED**).



How to Identify the Fixture's Wires

	GROUND	NEUTRAL	HOT
Bare Metal		Smooth	Smooth
Green, or Green Inner		White	Black
Thread		White Inner Thread	Black Inner Thread



6. Lightbulb (**Not Included**)
Requires 8 medium base (E26) bulbs, 60 watt maximum (sold separately)

DRY RATED